

Cyclone™ Series - Heatable Long Pathlength Gas Cells

The Cyclone™ series of fixed and variable long pathlength gas cells is the ultimate in sampling accessories for measuring the infrared spectra of gases and vapors. Designed for use at a wide range of temperatures and pressures, they are the ideal choice for the analyst who demands superior performance characteristics, high standard specifications and in-built upgradeability.

Based on the White cell principle of multiple light passes between an arrangement of reflecting mirrors, Cyclone™ gas cells are available in three sizes:

• **Cyclone™ C2**

Fixed or variable pathlengths ranging from 0.5m to 2.5m

• **Cyclone™ C5**

Fixed or variable pathlengths ranging from 1m to 8m

• **Cyclone™ C10**

Fixed or variable pathlengths ranging from 2.1m to 10.6m

Cyclone™ series gas cells are suitable for operation in all modern FT-IR spectrometers using the Specac Benchmark™ baseplate provided as standard.

Cells are available as standard with a borosilicate glass body for operation at ambient temperatures and pressures ranging from vacuum to 15 p.s.i. Protected gold mirrors, internal and external components made from nickel-plated aluminium and stainless steel, and Viton® 'O' rings are combined to ensure the highest chemicals compatibility and protection from leaks.

Vacuum / gas inlet and outlet taps, KBr windows and a purgeable transfer optics box further enhance this already highly featured range.

Unsurpassed Upgradeability

Cyclone's™ impressive list of optional features means that any analytical challenge can be met. Variable pathlength mirror carriages, and a range of fixed pathlength mirror



carriages can be used within a single gas cell body to greatly enhance analytical flexibility and reduce costs.

Nickel-plated aluminium bodies can be specified for high pressure operation up to 125 p.s.i., and heating jackets / high stability temperature controllers allow operation at temperatures up to 200°C.

Purge bellows allow the transfer optics to be used under inert gas atmospheres (e.g. nitrogen) in applications where the elimination of atmospheric H₂O and CO₂ absorbances is required.

Design Excellence

To ensure perfect operation and freedom from unwanted impurities, a number of unique features have been incorporated into the design and manufacture of the Cyclone™ series. The cells are completely free from adhesives and all of the Viton® 'O' ring seals are carefully pre-baked to solvents or out-gassing. Internal screws have small bleed holes drilled into them to prevent any trapped pockets of gas causing sample cross contamination.

CE Compliance

All Cyclone™ series heated gas cell systems are CE compliant ensuring that they can be operated safely at all times under the recommended conditions.

Standard Features

- Fixed pathlength
- Borosilicate glass body
- Ambient temperature operation
- Vacuum to 15 p.s.i. operation
- Gold mirrors (protected)
- Viton® 'O' ring seals
- KBr windows
- Adhesive-free construction
- Nickel-plated aluminium components
- Vacuum / gas inlet & outlet taps
- Purgeable transfer optics box
- Benchmark™ series baseplate mounting
- CE compliant

Optional Features

- Variable pathlength mirror carriage
- Additional fixed pathlength mirror carriages (all models)
- ZnSe or CaF₂ windows
- Nickel-plated aluminium body for high pressures operation (up to 125 p.s.i.)
- Heating jacket / controller for high temperature operation (up to 200°C)
- Pressure gauge kit
- Desiccant storage caps
- Purge bellows
- Laser alignment accessory

Cyclone™ Series - Heatable Long Pathlength Gas Cells

Cyclone™ Series – Specifications

Cyclone™ C2

Pathlength:	0.5m - 2.5m (fixed or variable)
Pathlength steps:	0.5m
Volume:	0.19 liters
Cell body material:	Borosilicate glass (optional metal body)
Pressure range:	Vacuum to 15 p.s.i. (optional 125 p.s.i.)
Temperature range:	Ambient (optional heated systems available)
Mirrors:	Gold (protected)
Windows:	KBr (optional ZnSe or CaF ₂)
Inlet/outlet fittings:	Stainless steel taps
'O' rings:	Viton®
Internal components:	Nickel-plated aluminium & stainless steel
Transfer optics:	Aluminium mirrors in purgeable optics box
Cell mount:	Benchmark™ series baseplate
Dimensions (mm):	H384 W153 D120



Cyclone™ C5

Pathlength:	1m - 8m (fixed or variable)
Pathlength steps:	1m
Volume:	1.33 liters
Cell body material:	Borosilicate glass (optional metal body)
Pressure range:	Vacuum to 15 p.s.i. (optional 125 p.s.i.)
Temperature range:	Ambient (optional heated systems available)
Mirrors:	Gold (protected)
Windows:	KBr (optional ZnSe or CaF ₂)
Inlet/outlet fittings:	Stainless steel taps
'O' rings:	Viton®
Internal components:	Nickel-plated aluminium & stainless steel
Transfer optics:	Aluminium mirrors in purgeable optics box
Cell mount:	Benchmark™ series baseplate
Dimensions (mm):	H536 W153 D130



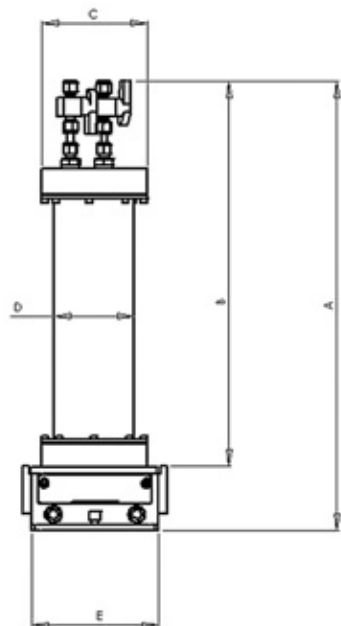
Cyclone™ C10

Pathlength:	2.1m - 10.6m (fixed or variable)
Pathlength steps:	1.06m
Volume:	2.6 liters
Cell body material:	Borosilicate glass (optional metal body)
Pressure range:	Vacuum to 15 p.s.i. (optional 125 p.s.i.)
Temperature range:	Ambient (optional heated systems available)
Mirrors:	Gold (protected)
Windows:	KBr (optional ZnSe or CaF ₂)
Inlet/outlet fittings:	Stainless steel taps
'O' rings:	Viton®
Internal components:	Nickel-plated aluminium & stainless steel
Transfer optics:	Aluminium mirrors in purgeable optics box
Cell mount:	Benchmark™ series baseplate
Dimensions (mm):	H540 W153 D146



Cyclone™ Series - Heatable Long Pathlength Gas Cells

Cyclone™ Series – Key Dimensions

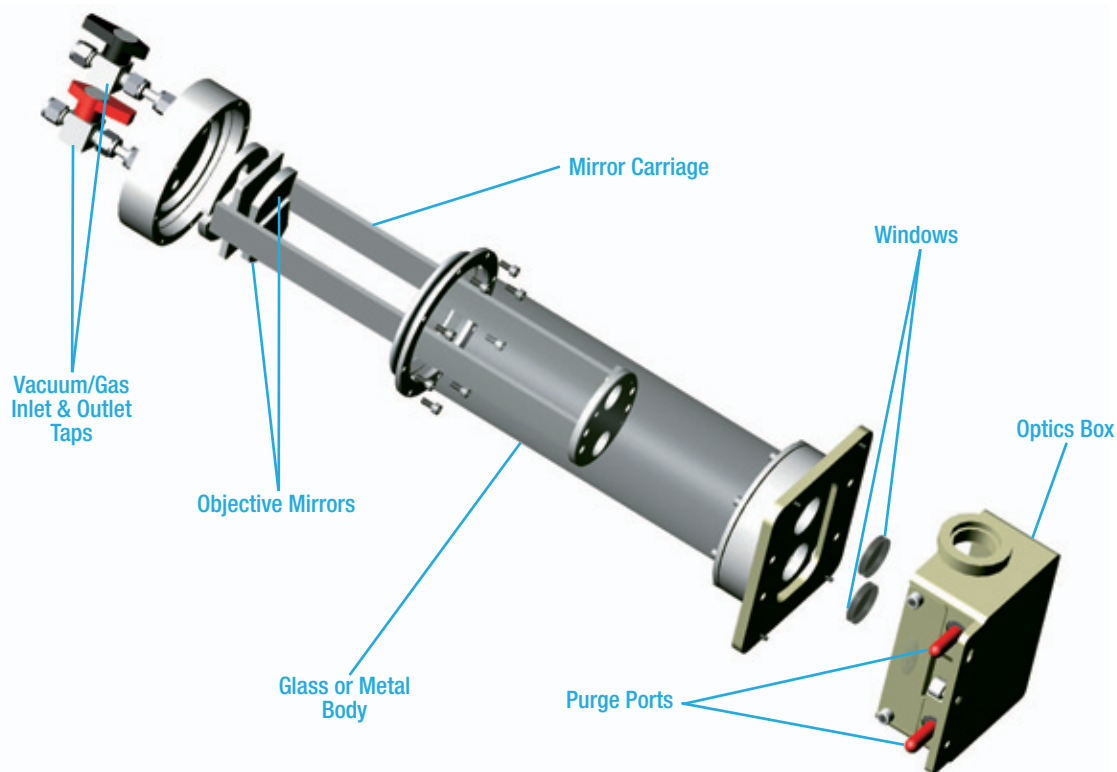


Cell	Base Pathlength	Pathlength Range	Volume
C2	12.5cm	0.5m to 2.5m (in 0.5m steps)	0.19 liters
C5	25cm	1m to 8m (in 1m steps)	1.33 liters
C10	26.4cm	2.1m to 10.6m (in 1.06m steps)	2.60 liters

Cell	A	B	C	D	E
C2	384	314	73	47	153
C5	536	466	114	87	153
C10	540	470	143	113	153

All dimensions in mm

Cyclone™ Series – Features of The Range



Cyclone™ Series - Heatable Long Pathlength Gas Cells

Cyclone™ Series Gas Cells – Optional Features

Cyclone™ series heatable long pathlength gas cells have been designed with the serious analyst in mind. These high performance, superior quality cells are backed by a comprehensive range of optional upgrades ensuring that they meet every analytical challenge.

Purge Bellows

A pair of purge bellows is available for the Cyclone™ series gas cells. These fit between the optics box of the cell and the spectrometer to allow the purging of transfer optics with inert gases such as nitrogen. This feature allows absorbances due to atmospheric H₂O and CO₂ to be eliminated from spectral measurements.

These bellows are designed to fit all Specac Bench-mark™ sampling accessories.

GS10707 Purge Bellows (pair)



Heating Jacket / High Stability Temperature Controller

All of the Cyclone™ series gas cells (glass and metal-bodied versions) can be upgraded to heatable gas cells by the addition of the appropriate Heating Jacket and High Stability Temperature Controller. The heating jacket simply slides over the gas cell and it can be operated from ambient temperatures up to 200°C.

Low voltage (30V) heaters are used to ensure safe operation at all times and the temperature controller can be fitted with an RS232, RS485 or USB interface to allow independent control using a computer. Temperature stability is +/-1°C and a key feature of the design is the uniformity of the heating across the whole cell, which prevents localised “cold spots” within the cell.

All of the Cyclone™ series Heating Jacket / High Stability Temperature Controller systems are CE compliant ensuring that they can be operated safely at all times under the recommended conditions.

GS24302 Heating Jacket / Controller for Cyclone™ C2

GS24305 Heating Jacket / Controller for Cyclone™ C5

GS24310 Heating Jacket / Controller for Cyclone™ C10

(Specify voltage and country).



Cyclone™ Series - Heatable Long Pathlength Gas Cells

Cyclone™ Series Gas Cells – Optional Features

Benchmark™ Series Laser Alignment Accessory

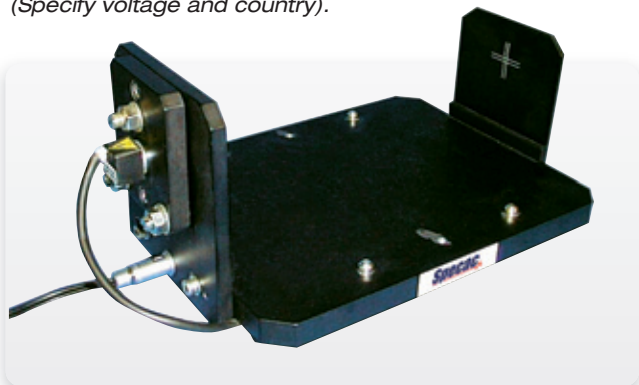
This accessory allows the visual verification of the optical pathlength through Cyclone™ series gas cells. This is especially useful when different pathlengths are regularly used with variable pathlength cells.

The accessory is based on a low power (0.8mW) visible continuous wave LED precisely located in position in a Benchmark™ accessory alignment housing. The gas cell simply slots into the alignment accessory. The 635nm Class II laser can be powered from a battery unit or by the dedicated mains transformer supplied.

Benchmark™ Laser Alignment Accessory is CE compliant ensuring that it can be operated safely at all times under the recommended conditions.

GS24500 **Benchmark™ Series Laser Alignment Accessory**

(Specify voltage and country).



Pressure Gauge Kit

A pressure gauge kit is available to fit the Cyclone™ series gas cells. Gauges can be specified for low pressure operation (vacuum to 15 p.s.i.) and high pressure operation (vacuum to 125 p.s.i.). An integral pressure relief valve ensures that cells are automatically depressurised in the event of accidental over pressurisation.

Specac recommend the use of a pressure gauge when operating gas cells at elevated pressures.

GS24160 Pressure Gauge Kit

(Specify High or Low pressure).



Desiccant Storage Caps

These caps are designed to fit over the optical inlet and outlet ports of the Cyclone™ series gas cells to seal the transfer optics when the cells are not in use. One of the caps contains a desiccant material which maintains a dry atmosphere within the transfer optics box and extends the life of KBr windows.

GS24150 **Desiccant Storage Caps**



Cyclone™ Series - Heatable Long Pathlength Gas Cells

Ordering information (Specify spectrometer make and model)

GS24102 - Cyclone™ C2

Long Pathlength Gas Cell 0.5m to 2.5m
(supplied with KBr windows as standard)

Specify: Fixed or variable pathlength
Windows (KBr, ZnSe or CaF₂)
Body material
(nickel-plated aluminium or glass)

GS24105 - Cyclone™ C5

Long Pathlength Gas Cell 1m to 8m
(supplied with KBr windows as standard)

Specify: Fixed or variable pathlength
Pathlength (for fixed pathlength version)
Windows (KBr, ZnSe or CaF₂)
Body material
(nickel-plated aluminium or glass)

GS24110 - Cyclone™ C10

Long Pathlength Gas Cell 2.1m to 10.6m (supplied with
KBr windows as standard)

Specify: Fixed or variable pathlength
Pathlength (for fixed pathlength version)
Windows (KBr, ZnSe or CaF₂)
Body material
(nickel-plated aluminium or glass)

Fixed pathlengths available

Cyclone™ C2 0.5, 1.0, 1.5, 2.0, 2.5m

Cyclone™ C5 1, 2, 3, 4, 5, 6, 7, 8m

Cyclone™ C10 2.1, 3.2, 4.2, 5.3, 6.3, 7.4, 8.5, 9.5, 10.6m

Options

- GS10707** Purge Bellows (pair)
- GS24150** Desiccant Storage Caps
- GS24152** Mirror Carriage Assembly for Cyclone™ series gas cells (specify model, variable or fixed pathlength, and pathlength where a fixed pathlength mirror carriage is required)
- GS24160** Pressure Gauge Kit to fit Cyclone™ and Tornado™ series gas cells (specify High or Low Pressure)
- GS24302** Heating Jacket / Controller for Cyclone™ C2 (specify voltage and country)
- GS24305** Heating Jacket / Controller for Cyclone™ C5 (specify voltage and country)
- GS24310** Heating Jacket / Controller for Cyclone™ C10 (specify voltage and country)
- GS24500** Laser Alignment Accessory (specify voltage and country)

Replacement Windows

- GS24153** Replacement KBr windows for Cyclone™ and Tornado™ series gas cells (specify model)
- GS24154** Replacement ZnSe windows for Cyclone™ and Tornado™ series gas cells (specify model)
- GS24155** Replacement CaF₂ windows for Cyclone™ and Tornado™ series gas cells

- Illustrations, descriptions and specifications in this data sheet were correct at the time of going to press. However, Specac's policy is one of continuous product development and we reserve the right to change descriptions and specifications at any time. For the latest details please contact your local Specac office or representative.

SPECAC LTD.,
River House, 97 Cray Ave, St. Mary Cray, Orpington,
Kent, BR5 4HE UK
T : +44 (0)1689 873134 F : +44 (0)1689 878527
E : sales@specac.co.uk Registered in England No. 1008689

SPECAC INC.,
50 Sharpe Drive, Cranston, RI 02920 USA
T : Toll Free +1 800 447 2558
E : sales@specac.co.uk W : www.specac.com
Specac is part of Smiths Group plc

11 - 06/11